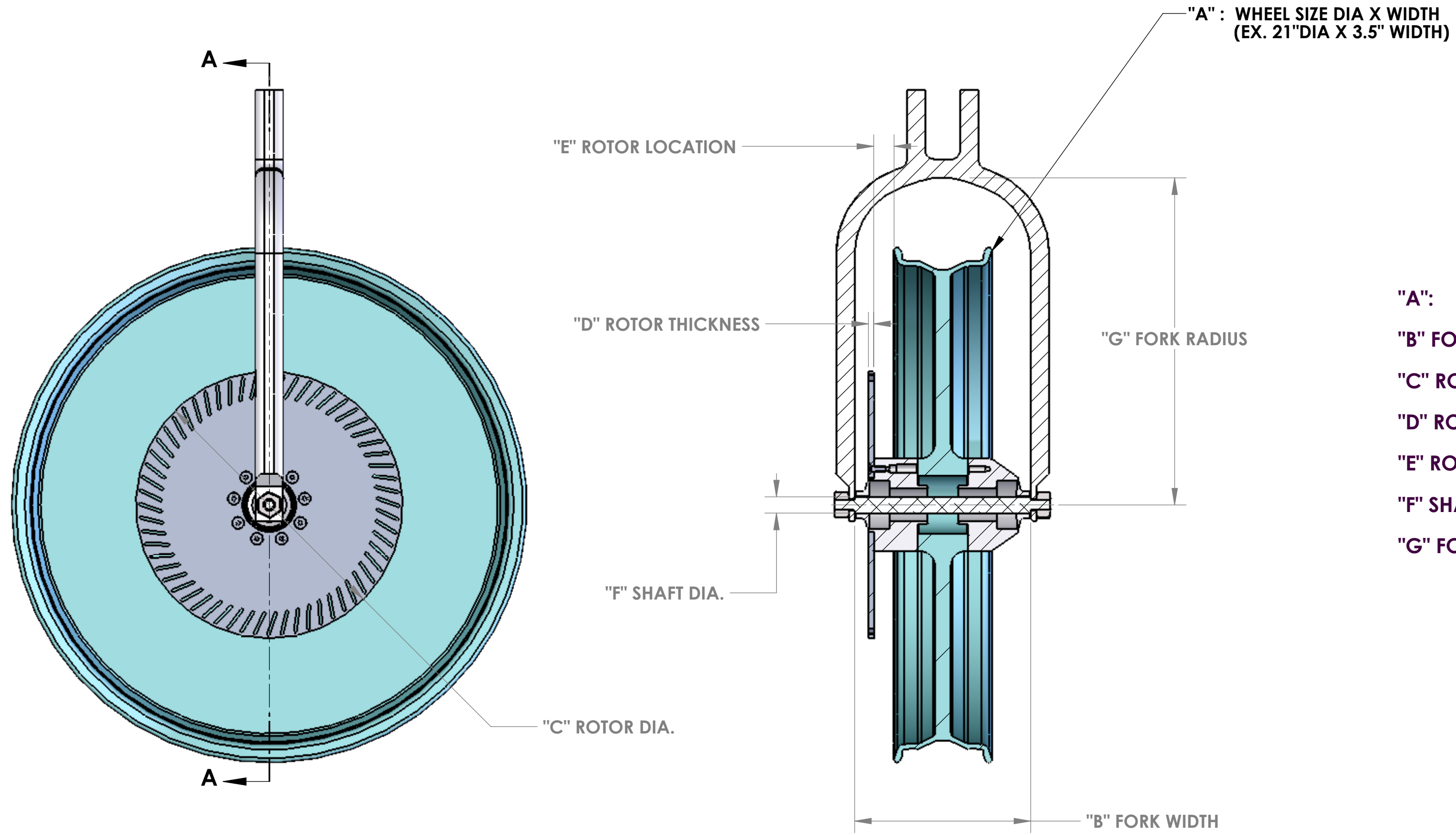


REVISIONS				
ZONE	REV.	DESCRIPTION	DATE	APPROVED
		RELEASE FOR PRODUCTION	7/20/08	



**"A": WHEEL DIA : \_\_\_\_\_ X WIDTH : \_\_\_\_\_**  
**"B" FORK WIDTH : \_\_\_\_\_**  
**"C" ROTOR DIA. : \_\_\_\_\_**  
**"D" ROTOR THICKNESS : \_\_\_\_\_**  
**"E" ROTOR LOCATION : \_\_\_\_\_**  
**"F" SHAFT DIA. : \_\_\_\_\_**  
**"G" FORK RADIUS: \_\_\_\_\_**

**SECTION A-A**

**PROPRIETARY AND CONFIDENTIAL**  
 THE INFORMATION CONTAINED IN THIS DRAWING IS THE SOLE PROPERTY OF SPINWHEEL & SPINWHEEL WORLDWIDE INC. ANY REPRODUCTION IN PART OR AS A WHOLE WITHOUT THE WRITTEN PERMISSION OF SPINWHEEL & SPINWHEEL WORLDWIDE INC. IS PROHIBITED.

UNLESS OTHERWISE SPECIFIED:		NAME	DATE
DIMENSIONS ARE IN INCHES		DRAWN	B.MCEVILLY 7/20/08
TOLERANCES:		CHECKED	
FRACTIONAL ±		ENG APPR.	
ANGULAR: MACH ± BEND ±		MFG APPR.	
TWO PLACE DECIMAL ±.010		Q.A.	
THREE PLACE DECIMAL ±.005		COMMENTS:	
NEXT ASSY	USED ON	FINISH	
APPLICATION	DO NOT SCALE DRAWING		

<b>SPINWHEEL INC.</b>		
TITLE:		
<b>FRONT WHEEL SPACING</b>		
SIZE	DWG. NO.	REV
<b>C</b>	<b>SW1000-FWD</b>	
SCALE: 1:4	WEIGHT:	SHEET 1 OF 1